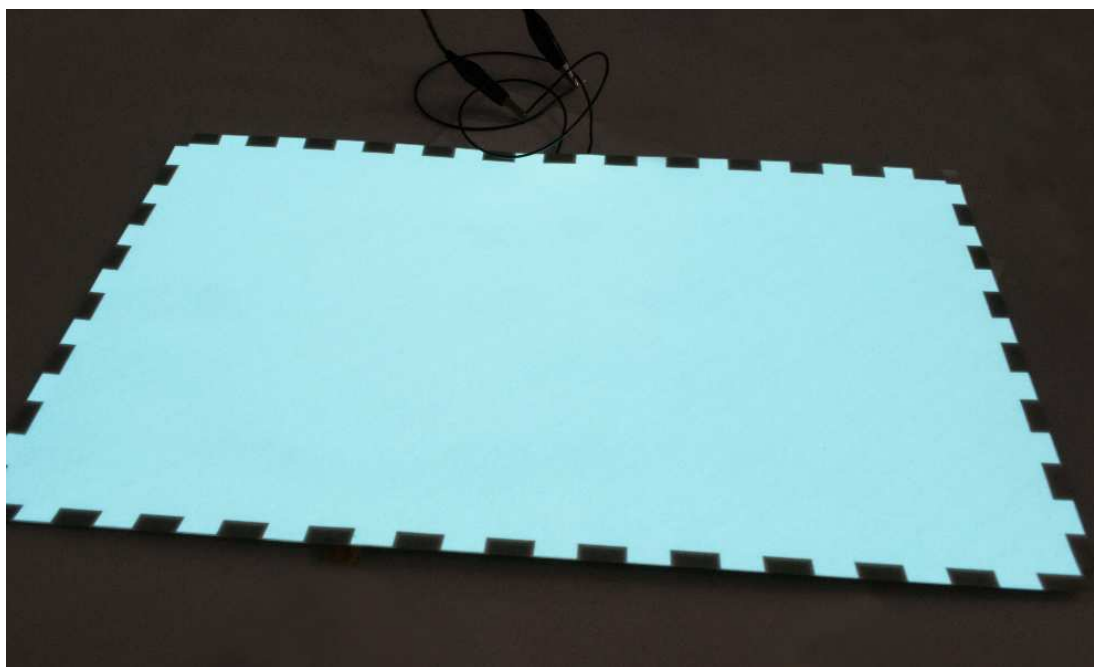
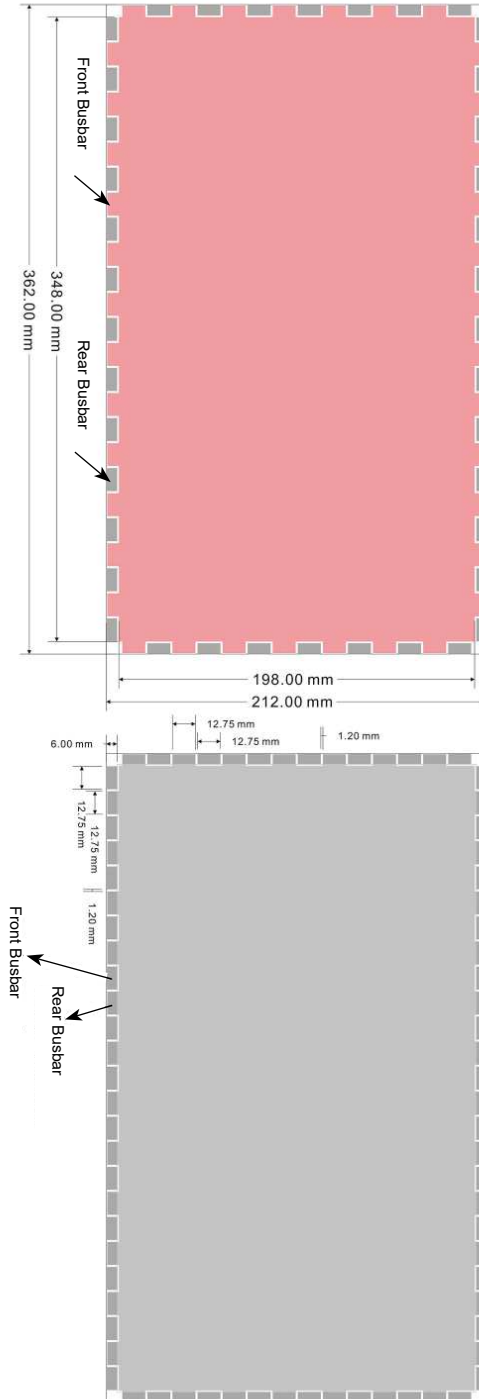


Instruction Manual DIY Electroluminescent Panel



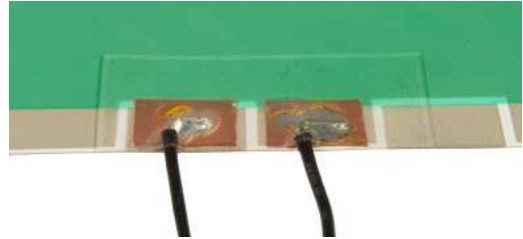
Instruction Manual DIY Electroluminescent Panel



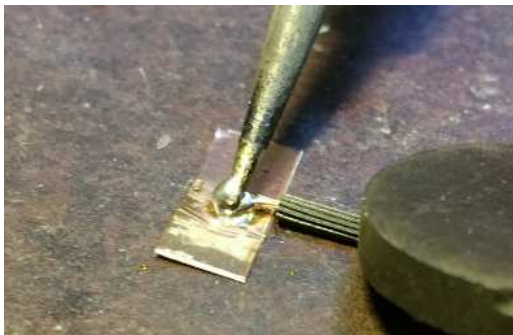
Instruction Manual DIY Electroluminescent Panel



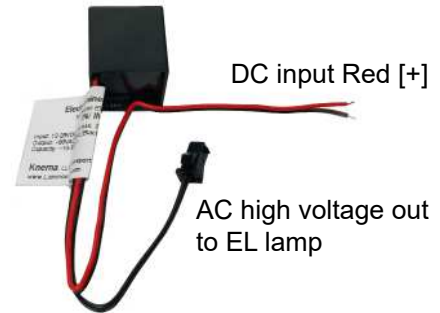
EL lamp power cord attaches to the EL lamp and EL inverter.



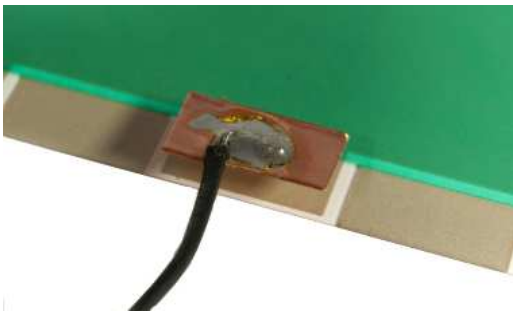
Attach one lead to the front busbar and one to the rear busbar.



Solder each of the two wires of the EL lamp power cord to a piece of copper tape. The copper tape supplied with this kit has a conductive adhesive.



Output from the EL inverter to the EL lamp is high voltage AC and has no polarity. One lead attaches to the front busbar and one to the rear busbar. If necessary you may cut off the connector on the lamp cord and inverter and hardwire the inverter to the EL panel.



Remove tape backing and press onto EL lamp busbar.



In some cases inverters and lamp cords may not have a connector attached. In these cases you can choose your favorite method of making a hardwire electrical connection .

Instruction Manual DIY Electroluminescent Panel

Specifications

Dimension:

Lamp Size:	216.0mm*362.0mm	Thickness:	0.25±5%mm
Pin Type:	Type C		

Specification:

Item	Value	Unit	Remark
COLOR	BLUE/GREEN/PINK-WHITE/BLUE-GREEN		
Operating Voltage	40~120	Vrms	
Operating Frequency	200~800	Hz	
Operating Temperature	0~40	°C	
Operating Humidity	50~70	%RH	
Storage Temperature	0~50	°C	
Storage Humidity	30~90	%RH	

Remark: Please pack the panel well for storage to avoid the water damage...

Electronical Characteristics:

Power / Frequency	110Vrms/400Hz	Unit
Brightness	50~100.0	cd/m ²
Current Density	0.15	mA/cm ²
Time to Half Luminance		
@ 25°C 65%RH	2000	Hours
@ 50°C 90%RH	800	Hours
@ 65°C 95%RH	200	Hours

Structure & Materials:

